



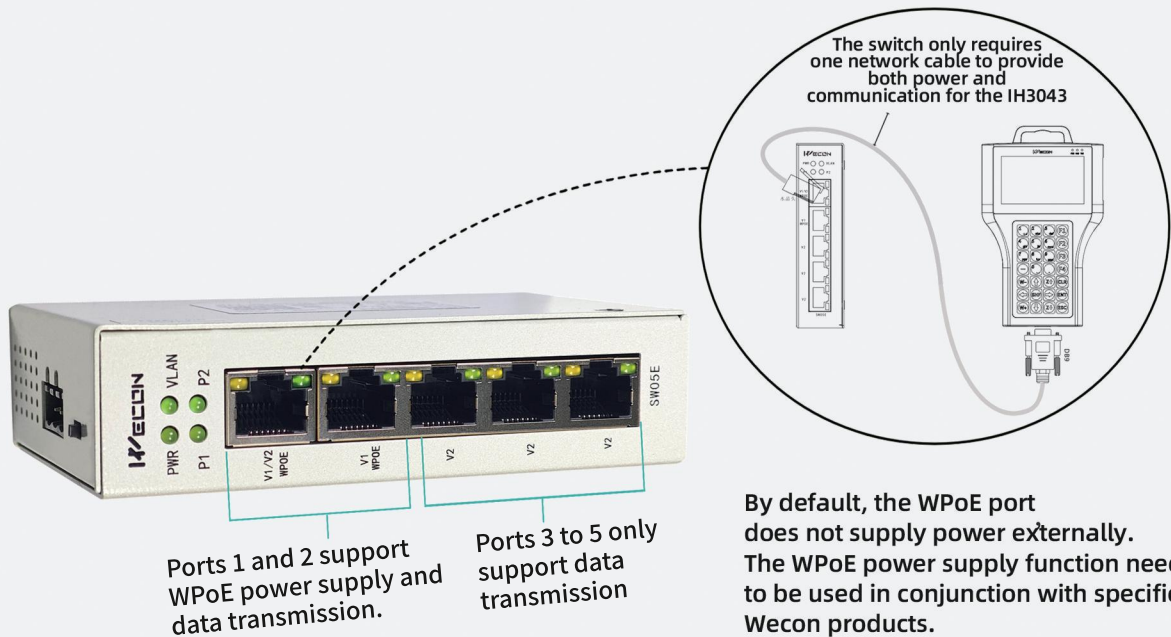
Industrial Ethernet Switch Catalog

SW05E Industrial Ethernet Switch

5 Ethernet Ports | Multiple Mounting Options
WPoE Function | VLAN Isolation

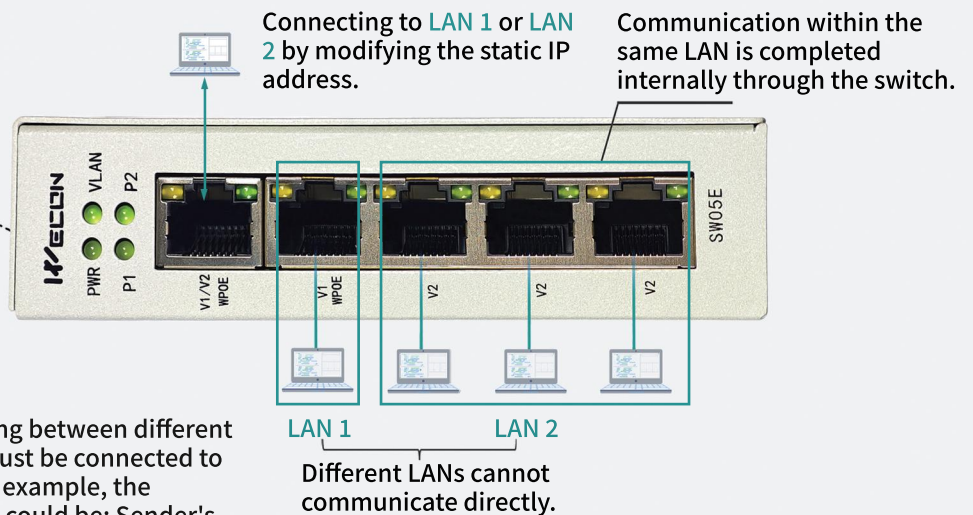
Product Features

Support WPoE Function Reduce deployment costs and workload



Support VLAN Isolation Safer for data, more flexible for networking

When the DIP switch is set to VLAN:
The five ports are divided into two local networks.

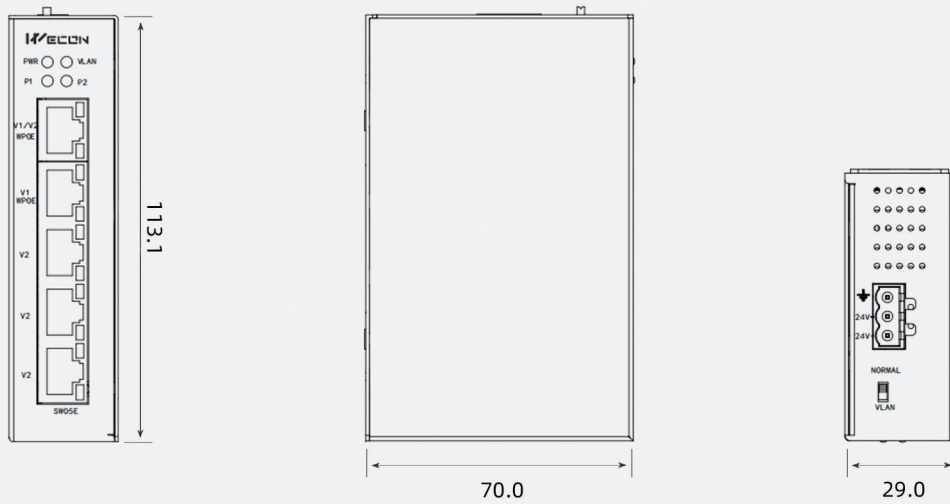


*When communicating between different LANs, both parties must be connected to the same switch. For example, the communication path could be: Sender's computer B - Switch - Computer A - Switch - Receiver's computer C.

Appearance Features

Compact metal body, sturdy and durable

The size is only 113.1mm*71.0mm*29.0mm,
Easily be placed in a compact industrial control cabinet.



DIN and wall mount installation, simple and flexible

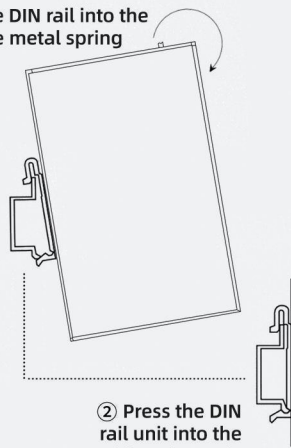
DIN and wall mount installation, simple and flexible

Make the use of industrial-grade Ethernet switches simple and reliable

DIN Installation

- 1 Insert the top of the DIN rail into the slot underneath the metal spring

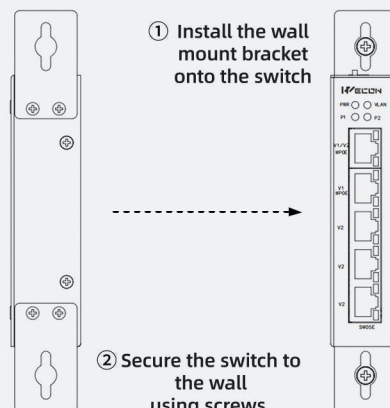
metal spring
DIN rail



Wall Mount Installation

- 1 Install the wall mount bracket onto the switch

- 2 Secure the switch to the wall using screws.



Specification

Item		Parameter
Ethernet Port	ETH	5 Ethernet ports (10/100-megabit)
Indicator	LED	PWR,VLAN,P1,P2
Power Supply	Input power	24V DC (18 to 28V DC)
	Power Isolation	N/A
	Power	Less than 1W
Power output	Output Power	24V DC(14 to 24 DC)
	Power Isolation	N/A
	Load-bearing Power	Less than 10W
Vibration Resistance		10 to 25Hz (X, Y, Z direction 2G/30 minutes)
Enclosure Material		Iron Metal Casing
Dimension (W*H*D)		113.1*71.0*29.0mm
Installation		DIN + Wall Mount
Rail Mounting Dimensions		Standard DIN Rail,35mm
Storage Temperature		-20 to 70°C
Working Environment Temperature		-10 to 55°C
Working Environment Humidity		10 to 90%RH(Non-condensing)
Cooling Method		Natural Cooling

Making Better Automation to Build Your Success



Website: www.we-con.com.cn/en

Email: sales@we-con.com.cn

Tel: 400-799-8189 Fax: +86-591-87843899

Factory: Wecon Tech Park, No. 58 Jiangbin East Avenue, Mawei, Fuzhou, China

Headquarters: 6th Building, F Area, Software Park, Fuzhou, Fujian, China

Edition No.: WCT9.3.1

