



# PLC LV5V-8BX BD Module Manual

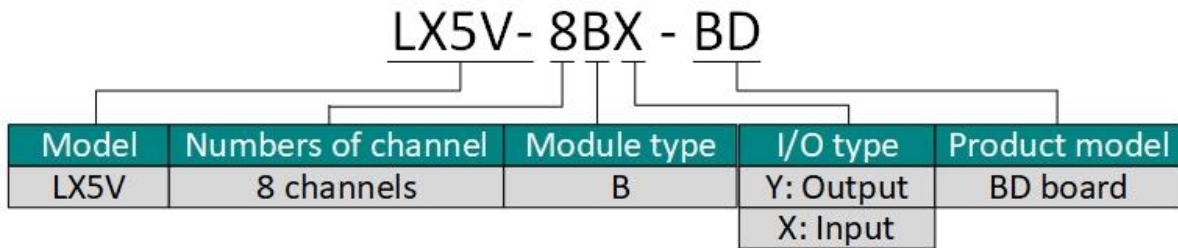
V1.0

Website: <http://www.we-con.com.cn/en>

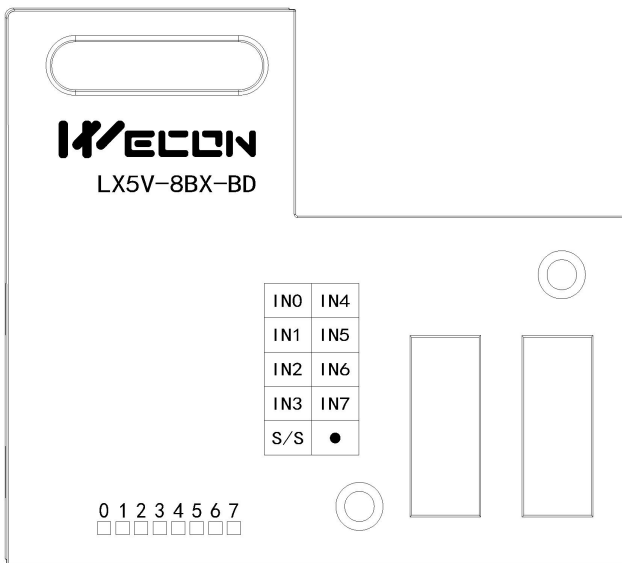
Phone: 86-591-8786886



# 1 Naming rules



# 2 Appearance and terminal

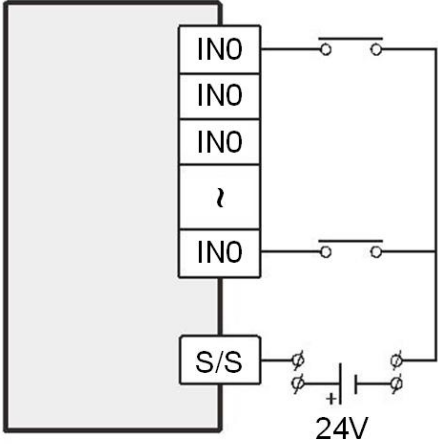


Terminal description	
IN0	Input point 1
IN1	Input point 2
IN2	Input point 3
IN3	Input point 4
S/S	Input common terminal
IN4	Input point 5
IN5	Input point 6
IN6	Input point 7
IN7	Input point 8
-	Not connected

**Note:** Hot swapping is not supported by BD module! Please power on the PLC host after the BD module is installed.

- **Weight:** about 0.03 kg.
- **LED indicator:** 0 to 7 indicates channels IN0 to IN7. The light is ON when there is output, and the light is OFF when there is no output.
- **Installation position:** It can only be installed in BD1 card slot of PLC host.

### 3 Input specification

Project	Input
Model	LX5V-8BX-BD
Input circuit composition	 <p>NPN Connection: S/S connected to 24V                      PNP Connection: S/S connected to 0V                      ⚠️ <b>Note:</b> NPN connection is shown in the figure.</p>
Input signal voltage	DC±24V ±10%
Input signal current	5mA/DC24V
Input ON current	Above 3.5 mA
Input OFF current	Below 1.5 mA
Input response time	About 10ms
	X0~X7 built-in digital filter. Setting range: 0 to 64ms.
Input signal	Contact input, NPN or PNP
Circuit insulation	Digital capacitor isolation insulation
Input action display	When ON is input, the LED is on.

## 4 PLC device description

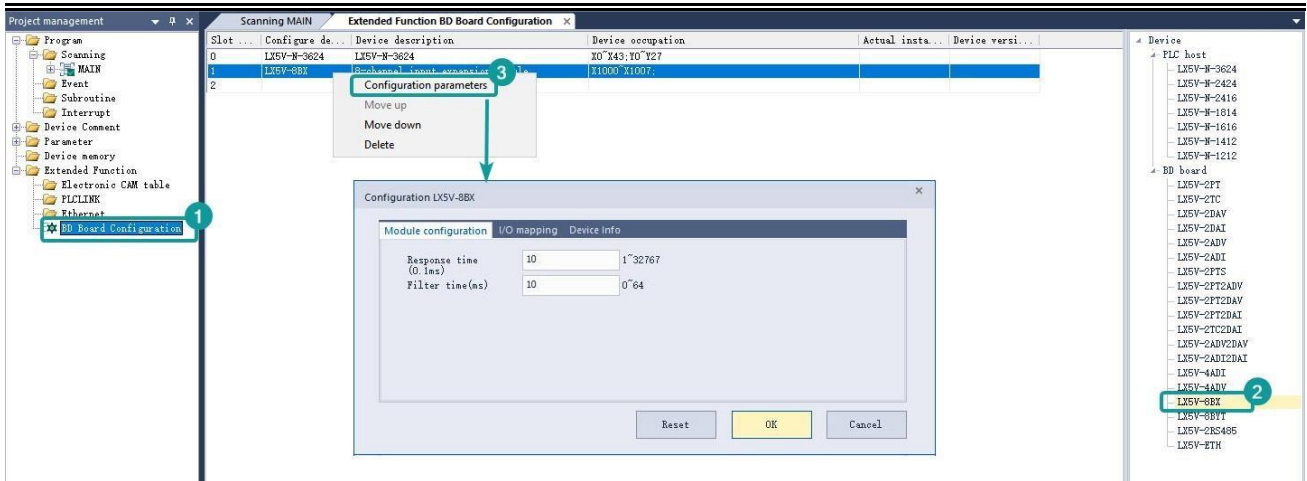
BD module	PLC	Instructions for use
LV5V-8BX-BD	LX3V	<p><b>D8112:</b> The lower eight bits are used to display the input status of 8 terminals in IN0 to IN7.</p> <p><b>D8114</b> is used to set input filter time in IN0 to IN7. (Range: 0 to 64ms, and the minimum filtering time should be set to 5ms or more.)</p>
	LX5V	<p>When the PLC firmware version is 2.050 and below, the usage is as follows:</p> <p><b>SD2010:</b> The lower eight bits are used to display the input status of 8 IOs in IN0 to IN7.</p> <p>SD2012 is used to set input filter time in IN0 to IN7. (Range: 0 to 64ms, and the minimum filtering time should be set to 5ms or more.)</p> <p>When the PLC firmware version is 2.051 and above, the usage is as follows:</p> <p><b>I/O mapping:</b> IN0 to IN7 fixed Mapping to X1000 to X1007.</p> <p><b>Response time:</b> 0.1 to 3276.7 ms. (Response time: The interval time for PLC to write data to BD module.)</p> <p><b>Filter time:</b> 0 to 64ms. (IN0 to IN7 use the same filtering time parameter, and the minimum filtering time should be set to 5ms or more.)</p> <p><b>BD monitoring function.</b> (See buffer memory description for details.)</p>

## 5 Instructions for use

### 5.1 Used on LX5V series host

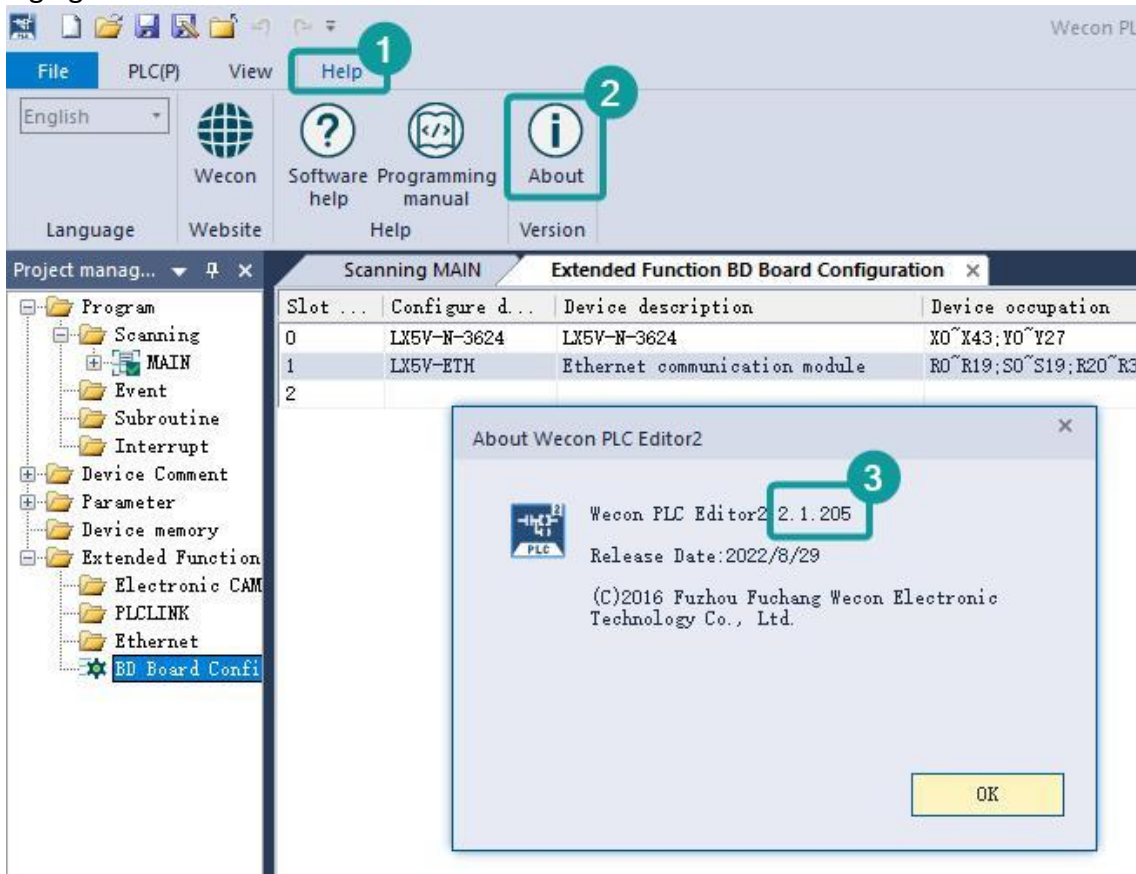
#### 1 Parameter configuration

- ① Open the host computer software and create a new project, double-click "Project Manager" → "Extended Function" → "BD Module Configuration" <sup>Note</sup> to enter "BD settings" interface;
- ② Select "LV5V-8BX" in the device bar on the right side of the BD module configuration interface and double-click to add it to the corresponding slot position of PLC (slot 1 or 2, the software will select slot 1 by default. You could right-click it to move to slot 2);
- ③ After adding BD module to the machine slot, double-click or right-click to select configuration parameters to enter LV5V-8BX-BD configuration parameters interface, as shown in the following figure:

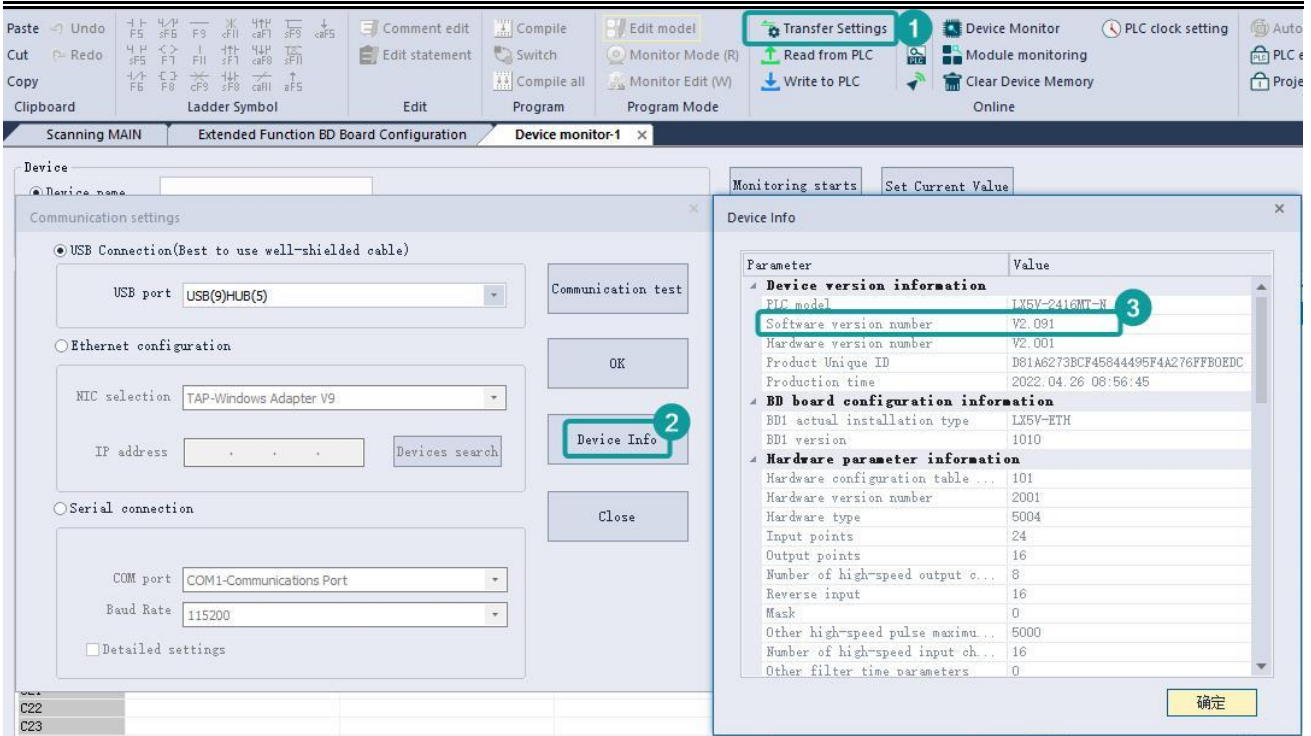


**Note:** This function is only supported in the following host computer and slave computer versions:

Supported upper computer versions: Wecon PLC Editor 2 2.1. 204 and above, as shown in the following figure:

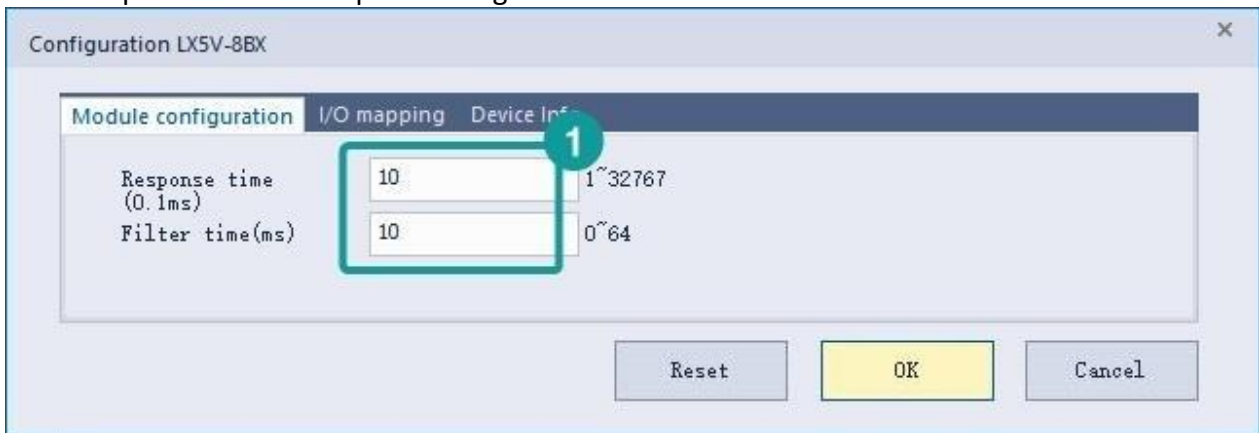


Supported lower computer versions:2.051And above, as shown in the following figure:

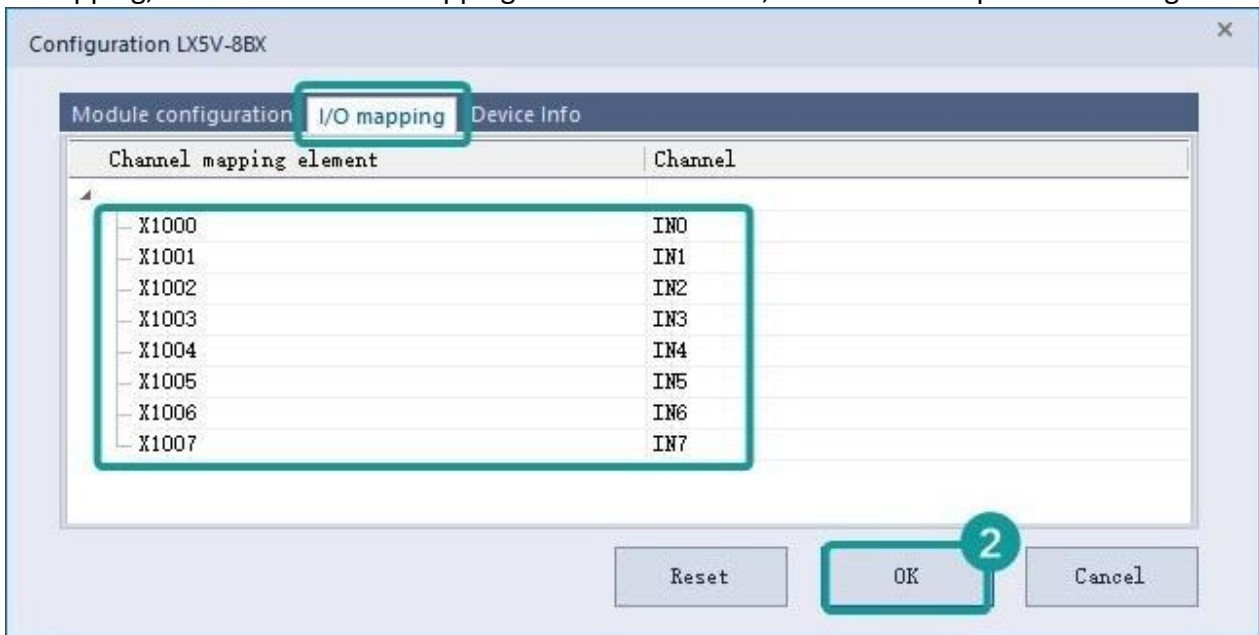


The parameter configuration interface is as follows:

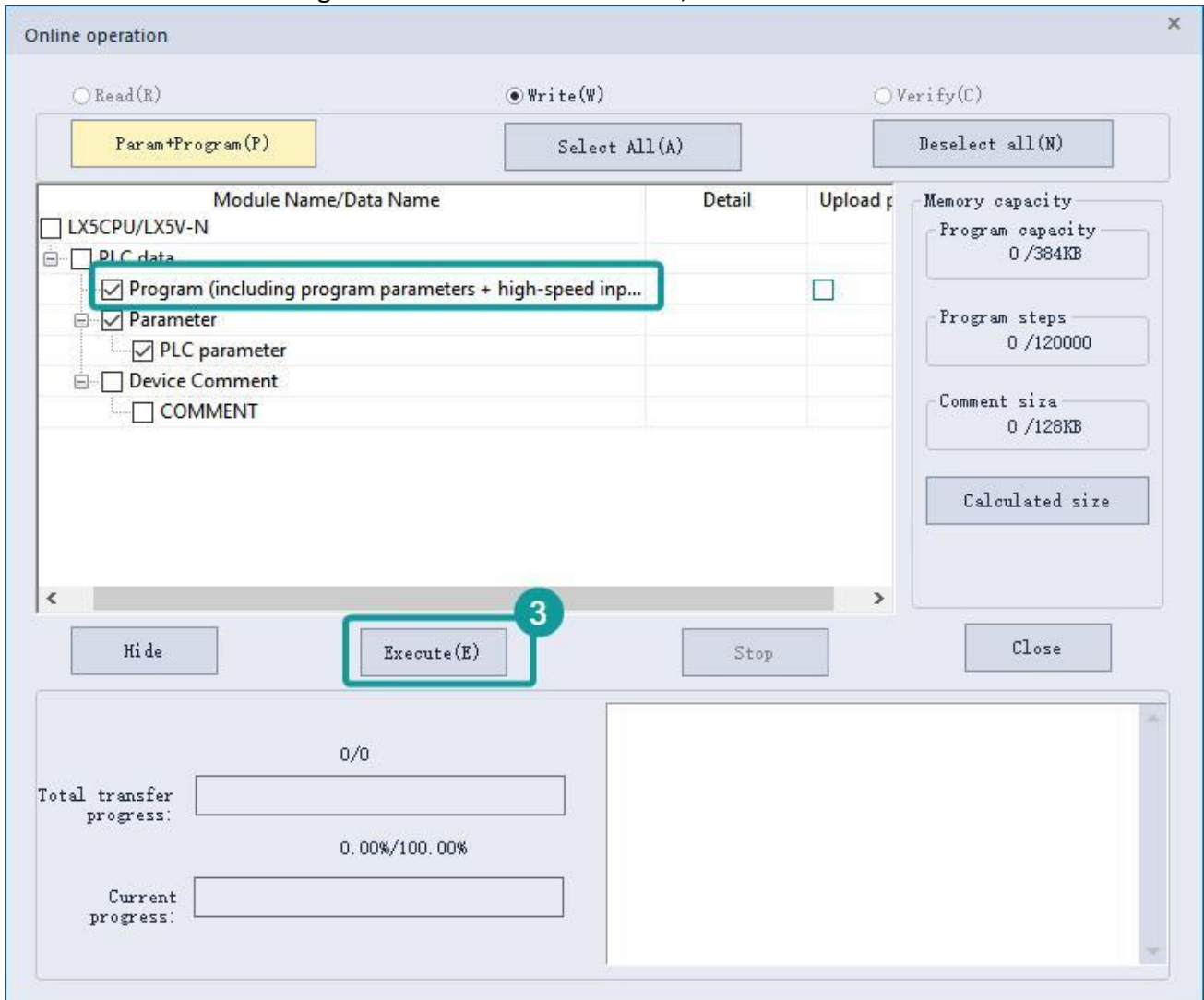
Set the response time and input filtering time.



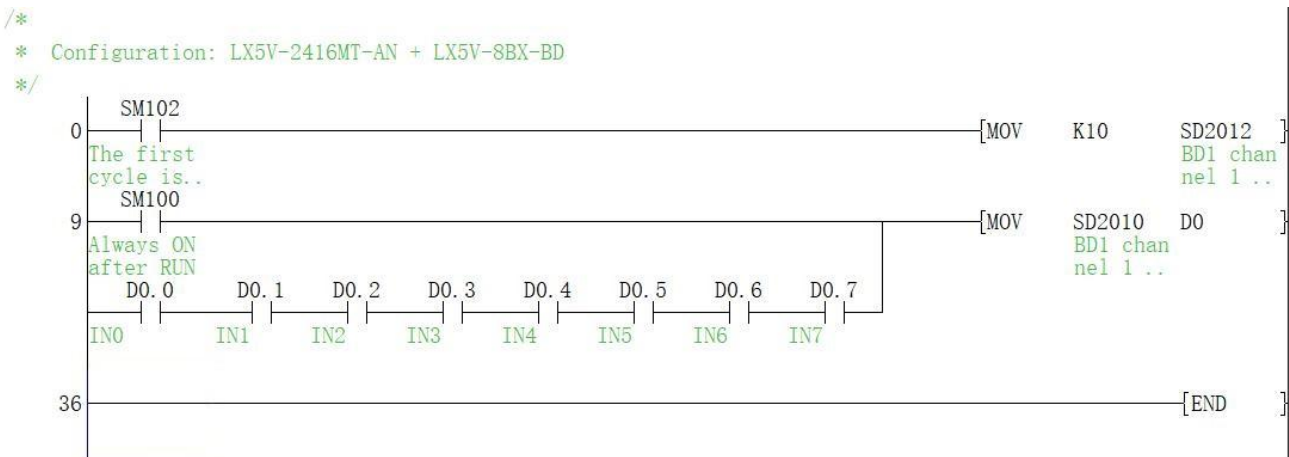
I/O mapping, INT0 to INT7 fixed mapping to X1000 to X1007, click OK to complete the configuration.



After the BD module configuration is downloaded to PLC, it will take effect after STOP→RUN.



## 2. Ladder editing



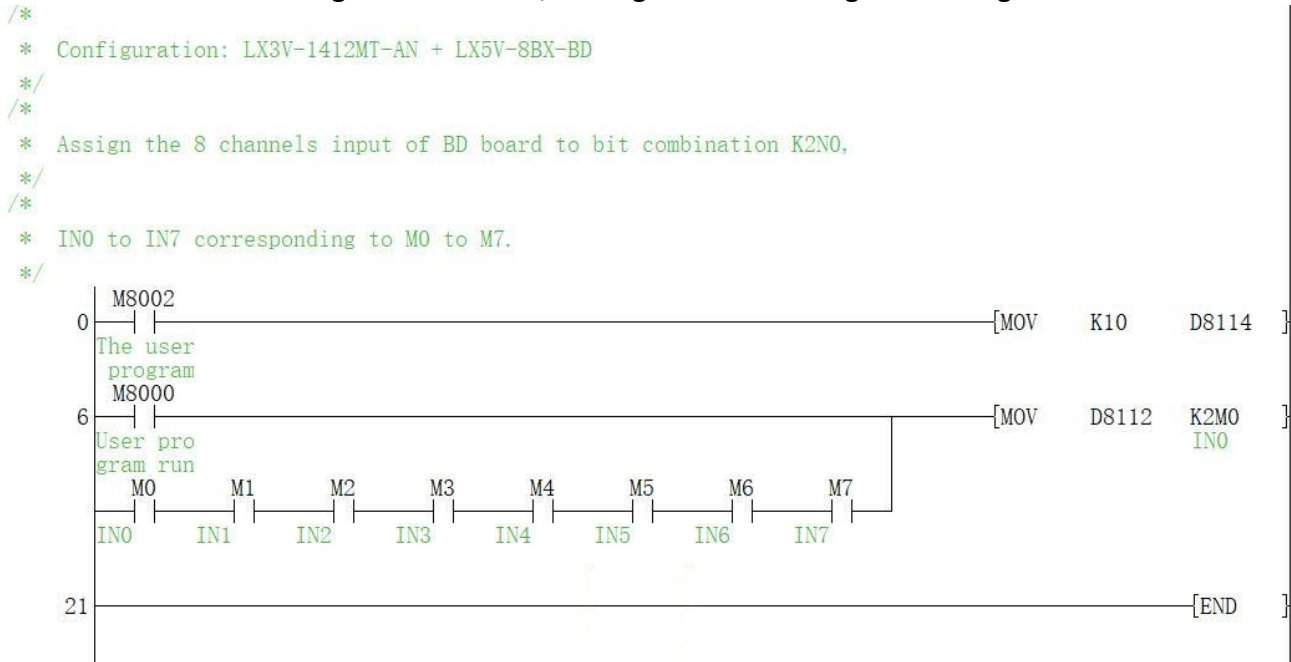
### Illustrate:

Assign SD2010 to D0, and when either channel IN0-IN7 is ON, the corresponding bits D0.0 to D0.7 will be set ON.



## 5.2 Used on LX3V series host

3V does not need to configure BD module, as long as the following ladder diagram.



### Illustrate:

Assign the lower byte of D8112 to the bit combination K2M0, and when either channel IN0-IN7 is ON, the corresponding M0 to M7 will be set ON.

## 5.3 BD monitoring interface and buffer memory

Open the module monitoring interface, select BD module, select online mode, and select LX5V-8BX in the BD module list on the right side to monitor BD module online.

The screenshot shows the Wecon PLC Editor2 - Module monitoring interface. The main window displays the 'Module monitoring' tab with a table of BD module configurations. The table has columns for Address, Value, Data type, Display format, and Description. The 'LX5V-8BX' module is highlighted in blue.

Address	Value	Data type	Display format	Description
0x2002		Byte [unsigned]	Decimal	Filter time, range (0, 64)
0x2080		Word [Signed]	Binary	Channel value
0x2082		Word [Unsigned]	Decimal	Status information
0x2084		Word [Unsigned]	Decimal	Error code
0x0200		Word [Unsigned]	Decimal	Current maximum package length
0x0202		Word [Unsigned]	Decimal	Number of retransmissions
0x0204		Word [Unsigned]	Decimal	Number of retransmissions of subpackages
0x0206		Word [Unsigned]	Decimal	Received times of sync frame
0x0208		Word [Unsigned]	Decimal	Sent times of sync frame
0x020A		Word [Unsigned]	Decimal	Sent times of sdo
0x020C		Word [Unsigned]	Decimal	Received times of sdo
0x020E		Word [Unsigned]	Decimal	Sent times of pdo
0x0210		Word [Unsigned]	Decimal	Received times of pdo
0x0212		Word [Unsigned]	Decimal	Latest error code, 0: Clear error code
0x0214		Double word [Unsigned]	Decimal	Number of bytes sent
0x0218		Double word [Unsigned]	Decimal	Number of valid bytes sent
0x021C		Double word [Unsigned]	Decimal	Number of bytes received
0x0220		Double word [Unsigned]	Decimal	Number of valid bytes received
0x0224		Double word [Unsigned]	Decimal	Communication time, unit: s

On the right side of the interface, there is a 'Module info.' list with the following items: LX5V-2PT, LX5V-2TC, LX5V-2DAV, LX5V-2DAI, LX5V-2ABV, LX5V-2ADI, LX5V-2PTS, LX5V-2FT2ADY, LX5V-2FT2DAV, LX5V-2FT2DAI, LX5V-2TC2DAI, LX5V-2ADY2DAV, LX5V-2AD12DAI, LX5V-4ADI, LX5V-4ADY, LX5V-8BX (highlighted), LX5V-8BYT, LX5V-2RS485, LX5V-8TH.



**Buffer memory**

BFM address	Power -off hold	Read/write	Memory name	Default	Range	Description
0x2002	×	R/W	Filter time	10	0 to 64	Unit: ms
0x2080	×	R	Channel value	0	0 to 0xFF	Display channel input status
0x2082	×	R	Status information	0	-	-
0x2084	×	R	Error code	0	-	-
0x200	×	R	Current maximum	0	0 to 0xFFFF	The maximum length of the
0x202	×	R	Number of	0	0 to 0xFFFF	Number of retransmissions
0x204	×	R	Number of	0	0 to 0xFFFF	Number of retransmissions
0x206	×	R	Received times of	0	0 to 0xFFFF	Received times of sync
0x208	×	R	Sent times of sync	0	0 to 0xFFFF	Sent times of sync frame
0x20A	×	R	Sent times of SDO	0	0 to 0xFFFF	Sent times of SDO
0x20C	×	R	Received times of	0	0 to 0xFFFF	Received times of SDO
0x20E	×	R	Sent times of PDO	0	0 to 0xFFFF	Sent times of PDO
0x210	×	R	Received times of	0	0 to 0xFFFF	Received times of PDO
0x212	√	R/W	Latest error code	0	Only 0 can be	Protocol internal error code,
0x214	×	R	Number of bytes sent	0	0 to 0xFFFFFFFF	Number of bytes sent
0x218	×	R	Number of valid bytes	0	0 to 0xFFFFFFFF	Number of valid bytes sent
0x21C	×	R	Number of bytes	0	0 to 0xFFFFFFFF	Number of bytes received
0x220	×	R	Number of valid bytes	0	0 to 0xFFFFFFFF	Number of valid bytes
0x224	×	R	Communication time	0	0 to 0xFFFFFFFF	Time from power-on to